



Aroma

Delicate

Emotion

Mood

Mystery

Freedom in color

Print colours can vary from real colours. No rights can therefore be derived from the contents of this publication.

Esthec® Terrace

Esthec[®] Terrace

We call Esthec *barefoot sophistication*, since it includes all the charming properties of wood, yet without the inevitable cracking, splintering, warping or weathering.

Esthec provides excellent slip resistance, even when wet, is virtually indestructible (high heels proof) and requires minimal maintenance.

There is no "expiry date" for Esthec products. It will still look good as new after many years of use.



you'd almost forget the view...



Esthec Terrace is a visionary and sophisticated terrace system which embellishes and enhances a multitude of outdoor zones with its unrivaled functional properties and haptics.

Esthec offers the owner and architect technical and aesthetic advantages and supports the trend to limit inadequate use of scarce natural resources.





Green Building

Sustainability is at the top of everyone's radar.

Hence we highlight the environmental aspects of Esthec to contribute to sustainable solutions for the future.

Esthec includes recycled material in production, reuses its own waste and the material is over 90% recyclable.

No wood is used in the manufacture of Esthec and our products are sourced locally, dramatically decreasing our footprint.







References

Andrew Winch Designs (UK)
Zaha Hadid Architects (UK)
Kelly Hoppen Interiors (UK)
Bannenberg & Rowell Design (UK)
Piet Boon (The Netherlands)
Rem Koolhaas (The Netherlands)
Alberto Pinto (France)
Schiller Architekten (Germany)
Stofft Cooney Architects (USA)
Hinojosa Design Studio (USA)
MD Design Group (USA)



Aroma

Delicate

Emotion

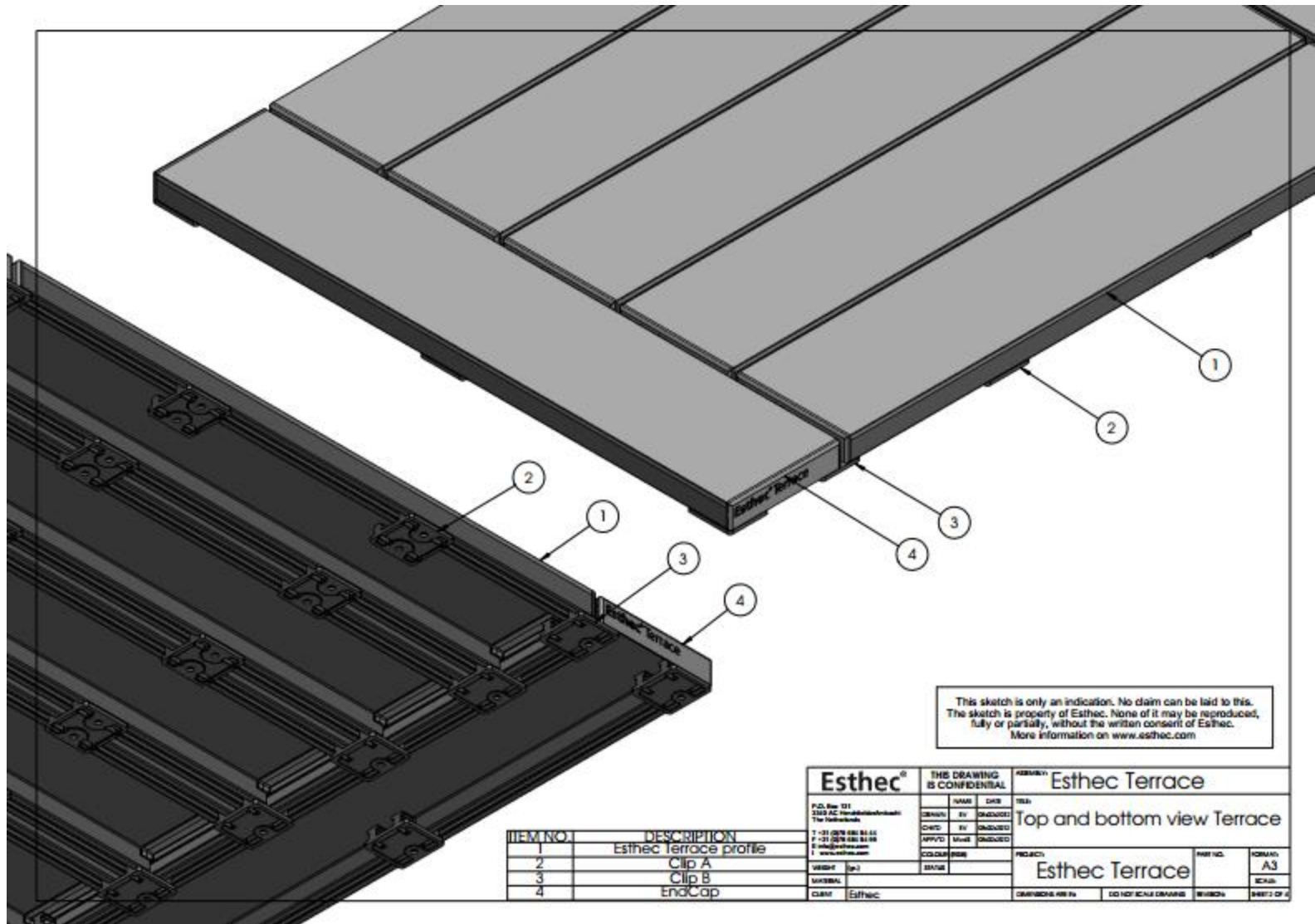
Mood

Mystery

Freedom in color

Print colours can vary from real colours. No rights can therefore be derived from the contents of this publication.

Esthec[®] Terrace

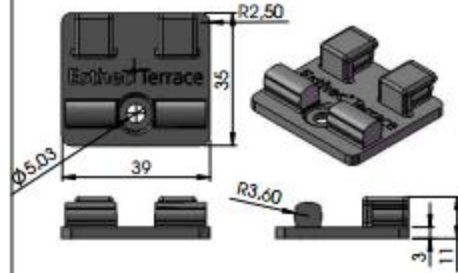


This sketch is only an indication. No claim can be laid to this. The sketch is property of Esthec. None of it may be reproduced, fully or partially, without the written consent of Esthec. More information on www.esthec.com

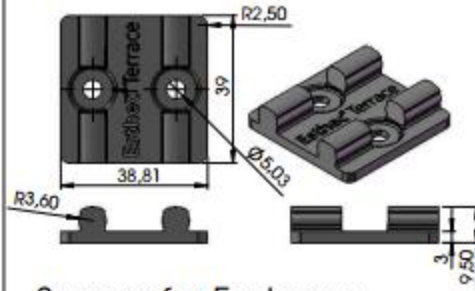
ITEM NO.	DESCRIPTION
1	Esthec Terrace profile
2	Clip A
3	Clip B
4	endCap

Esthec®		THIS DRAWING IS CONFIDENTIAL		ASSEMBLY: Esthec Terrace	
P.O. Box 101 3300 AC Honselsteinstrasse The Netherlands T +31 (0)20 486 84 44 F +31 (0)20 486 84 49 E info@esthec.com W www.esthec.com		NAME	DATE	TITLE	
DESIGN	BY	DRAWING		Top and bottom view Terrace	
CHECK	BY	DRAWING			
APPROV	BY	DRAWING			
COLOR	RGB				
WEIGHT	g/m	STATUS		Esthec Terrace	PART NO.
SERIAL					FORM A3
CLIENT	Esthec				SCALE
				CHANGES ARE IN	DO NOT SCALE DRAWING
				REVISION	SHEET 2 OF 2

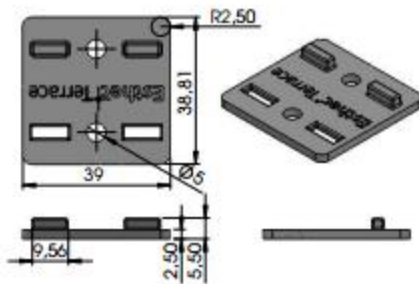
Assembly clip B:



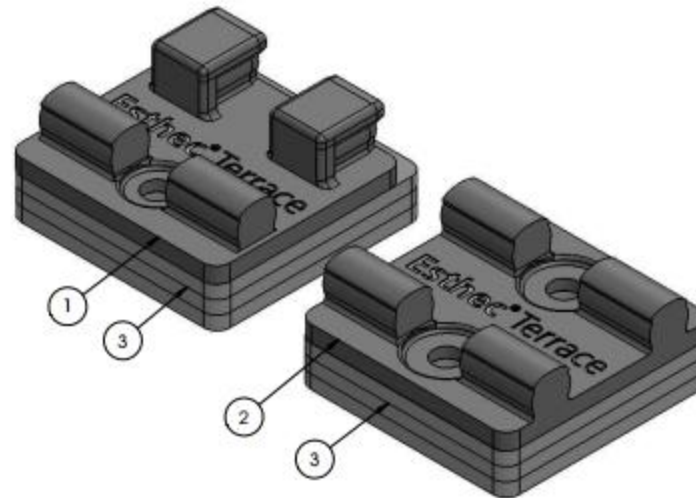
Assembly clip A:



Spacer for Endcaps:



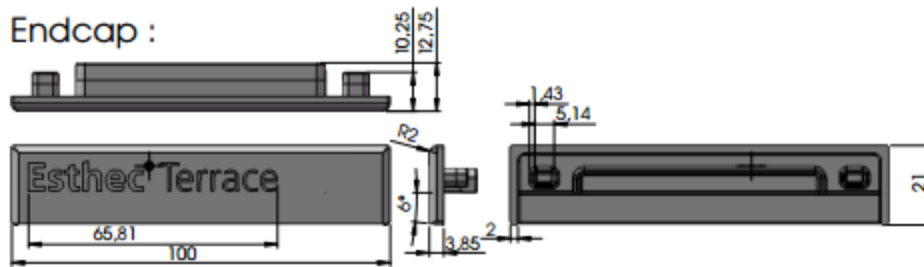
ITEM NO.	DESCRIPTION	QTY.
1	Clip B	1
2	Clip A	1
3	Spacer	6



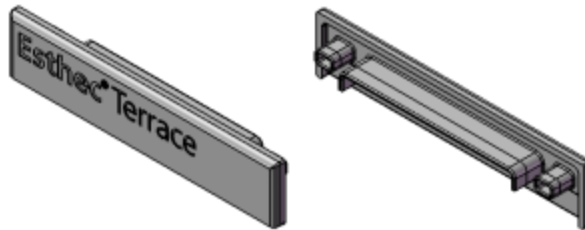
This sketch is only an indication. No claim can be laid to this. The sketch is property of Esthec. None of it may be reproduced, fully or partially, without the written consent of Esthec. More information on www.esthec.com

Esthec®		THIS DRAWING IS CONFIDENTIAL		ASSEMBLY: Esthec Terrace	
P.O. Box 131 2300 AC Hoorn, The Netherlands The Netherlands T +31 (0)76 681 81 43 F +31 (0)76 681 81 44 E info@esthec.com www.esthec.com		NAME	DATE	DESIGN	DATE
		DESIGN	BY	DESIGNED	
		CHECK	BY	ENGINEER	
		APPROV	MANAGER	APPROV	DATE
		COLOR	ORIG. MARK		
WEIGHT	g	STATUS		PROJECT	Esthec Terrace
MATERIAL	POM			PART NO.	
CLIENT	Esthec			FORM NO.	A3
		DATE		SCALE	
				DATE	
				REVISION	SHEET 3 OF 3

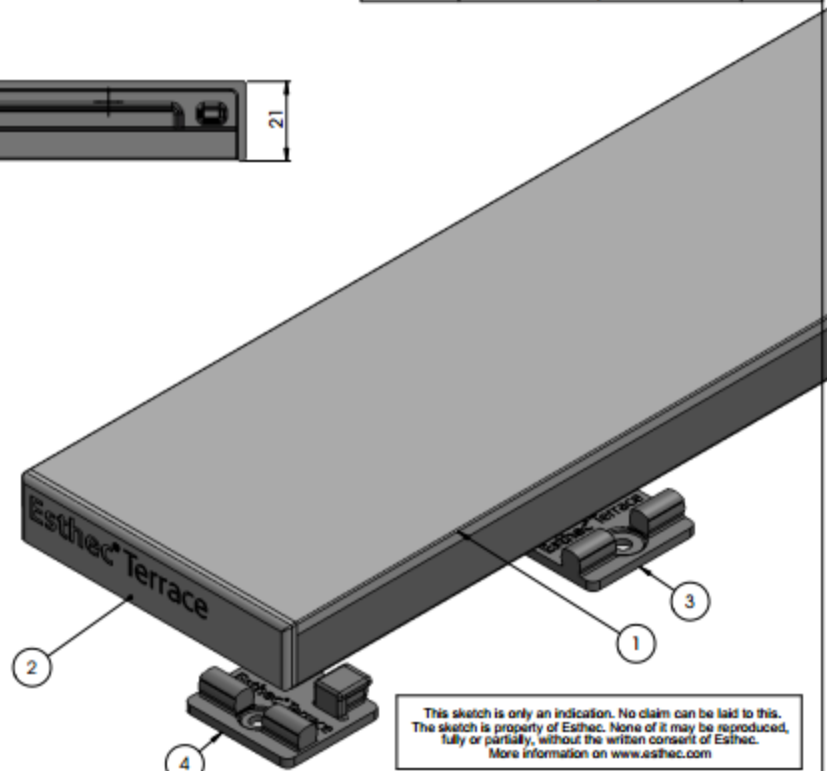
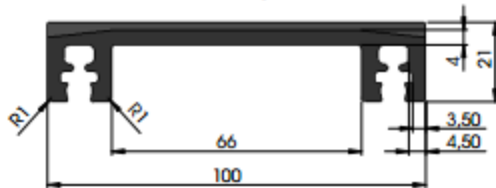
Endcap :



ITEM NO.	DESCRIPTION	QTY.
1	Esthec Terrace profile	1
2	EndCap	1
3	Clip A	1
4	Clip B	1



Esthec Terrace profile:



Esthec®		THIS DRAWING IS CONFIDENTIAL		ASSEMBLY Esthec Terrace	
P.O. Box 111 3200 AC Heteren/Deventer The Netherlands		DESIGN	BY	INDEXED	BY
T +31 (0)29 181 81 11 F +31 (0)29 181 81 99 E info@esthec.com www.esthec.com		CHVD	BY	INDEXED	BY
		APPRO	BY	INDEXED	BY
		COLOR	BY	INDEXED	BY
		STATUS			
VERSION	1 of 1	PROJECT Esthec Terrace		PART NO.	FORMA A3
MATERIAL	Endcap: Luran				ICAN
CART	ESTHC			DATE	REV 01